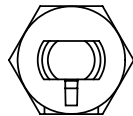
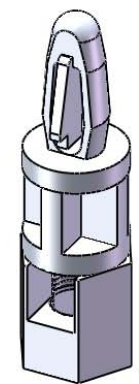
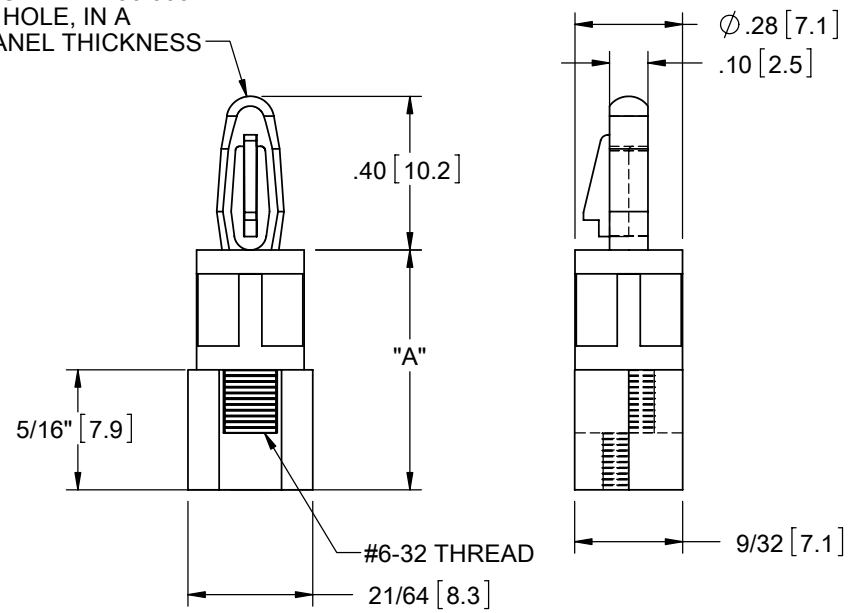


MATERIAL: NYLON 6/6 UL 94 V-2 (RMS-01) COLOR: NATURAL PART NO.	MATERIAL: NYLON 6/6 UL 94 V-2 (RMS-19) COLOR: NATURAL PART NO.	DIM. "A"±.015 [0.4]
LCBS-TF-6-01	LCBS-TF-6-19	3/8 [9.5]
LCBS-TF-8-01	LCBS-TF-8-19	1/2 [12.7]
LCBS-TF-10-01	LCBS-TF-10-19	5/8 [15.9]
LCBS-TF-12-01	LCBS-TF-12-19	3/4 [19.1]
LCBS-TF-14-01	LCBS-TF-14-19	7/8 [22.2]
LCBS-TF-16-01	LCBS-TF-16-19	1 [25.4]



TO SNAP-LOCK IN A .156.003  
[4±0.08] DIA. HOLE, IN A  
.062 [1.57] PANEL THICKNESS



NOTES:  
1. M4 THREAD AVAILABLE BY SPECIAL ORDER ONLY  
TO ORDER, ADD "-M4" TO PART NO.  
EXAMPLE: LCBS-TF-M4-X-XX  
2. ALTERNATE UNITS FOR REFERENCE ONLY.

TITLE: <b>LCBS, THREADED FEMALE</b>						DWG IN IN [MM]	
CREATED USING SOLIDWORKS	FILE #: LCBS-TF	DWN: SK	APP: RT	FINAL			
TOLERANCES UNLESS NOTED .XX=±.010 .XXX=±.005 FRAC.=±1/64 ANG.=±1°	SHEET: 1 OF 1	SHEET SIZE: A	DT: 11/20/06	CHKD: SJ	PART #		PRINT TYPE
RE: <b>RICHCO, INC.</b>	<b>RICHCO, INC.</b> ENG@RICHCO-INC.COM (773) 539-4060			<b>SEE TABLE</b>		<b>CA</b>	

D	DESCRIPTION	SK	DATE
-	REDRAWN, SEE ECN #1208 FOR CHANGES	SK	11/29/06
-	SEE ENGINEERING FOR REV A-C	-	-----
REV.	DESCRIPTION	ENGR.	DATE